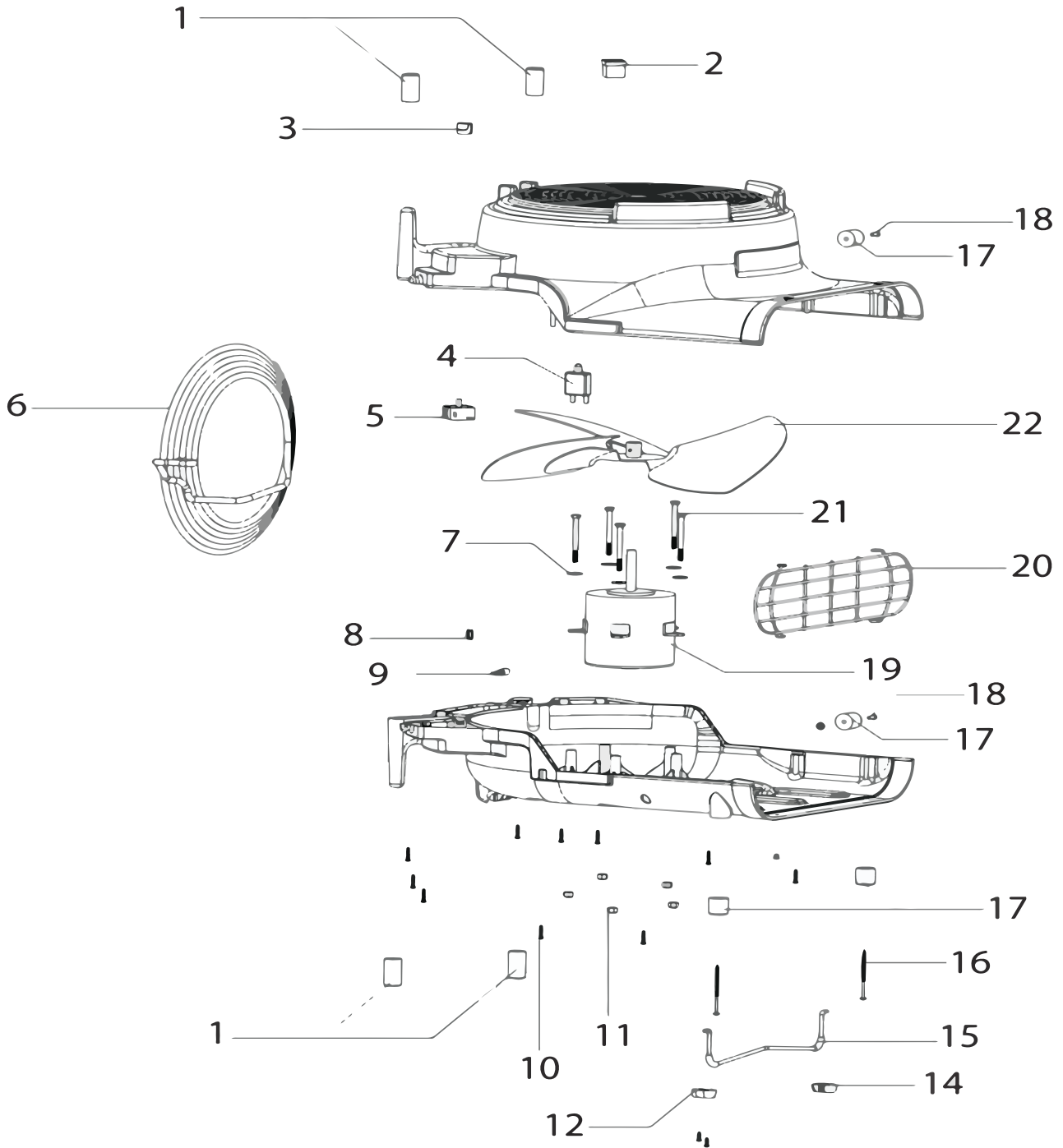




Dry Time Air Mover

SC6055A



Issued: 2018

Revised:

© 2018 BISSELL Homecare, Inc.

Dry Time Air Mover

SC6055A

KEY	PART #	DESCRIPTION
1	16294CP	VINYL CAP
2	16295CP	POWER OUTLET
3	PD1K	SWITCH KNOB
4	16296CP	CIRCUIT BREAKER
5	X8897	SWITCH
6	X8926	POWER CORD
7	16287CP	1/4"FLAT WASHER
8	16293CP	RUBBER GROMMET
9	16286CP	CABLE P-CLIP
10	16291CP	8-18 3/4"LONG HI-LO SCREW
11	16288CP	1/4-20 NYLOC
12	X8928	RIGHT TILT STAND FOOT
14	X8929	LEFT TILT STAND FOOT
15	X8874	KICK STAND
16	16298CP	HYBRID FOOT SCREW
17	PD3B+	RECESS BUMPERS - FEET
18	16297CP	8-32X1 PHILLIP PAN
19	16289CP	HYBRID DRYER MOTOR
20	X8871	DISCHARGE GRILL
21	16292CP	1/4-20X2.75"BOLT
22	16290CP	HYBRID FAN BLADE

Issued:	
Revised:	
© 2018 BISSELL Homecare, Inc.	